



TP 625



SANYO AUTOMATIC STEREO TURNTABLE OWNER'S MANUAL

INDEX

	Page		Page
Introduction.....	1	The motor	3
Preparations.....	1	Removing the platter	3
Tracking force adjustment	2	Cabinet care	3
To play a record.....	2	About Sanyo	3
The pickup system	3		

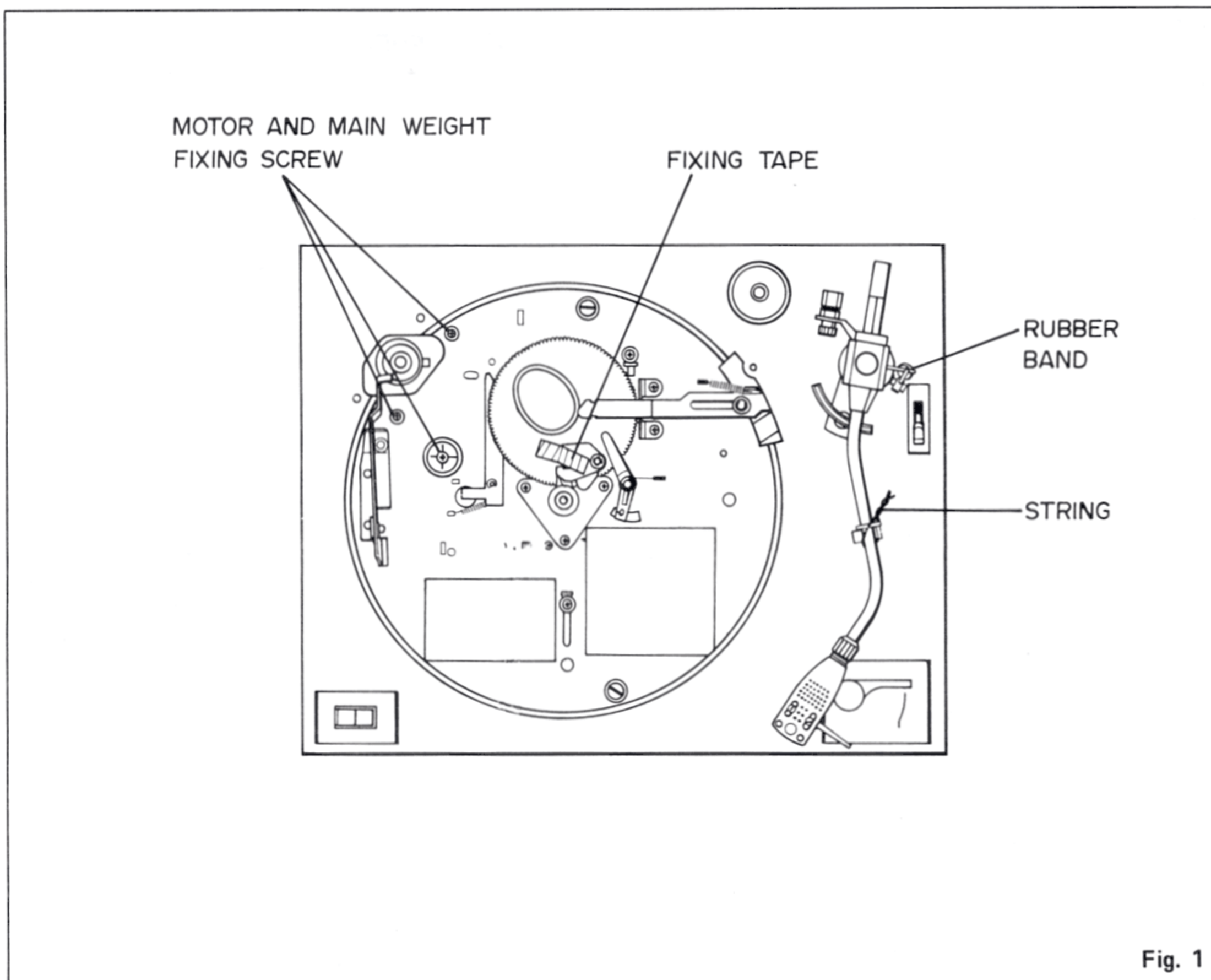
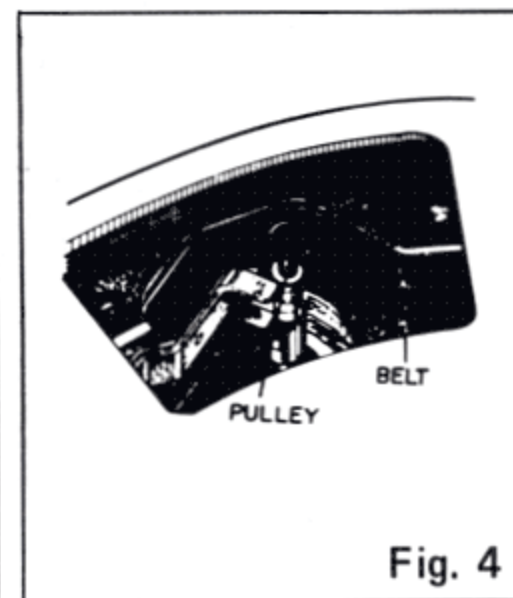
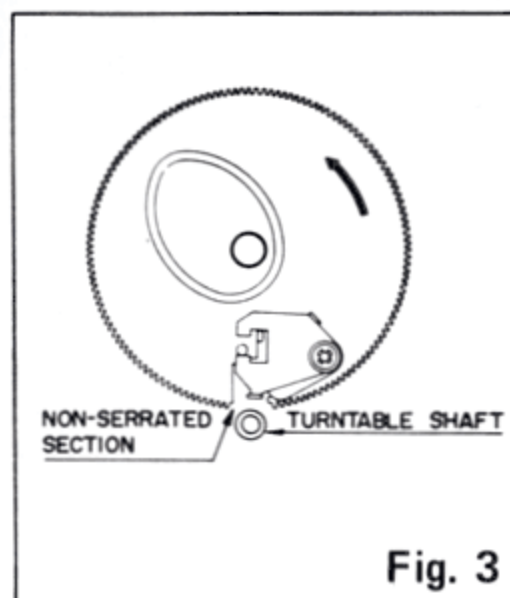
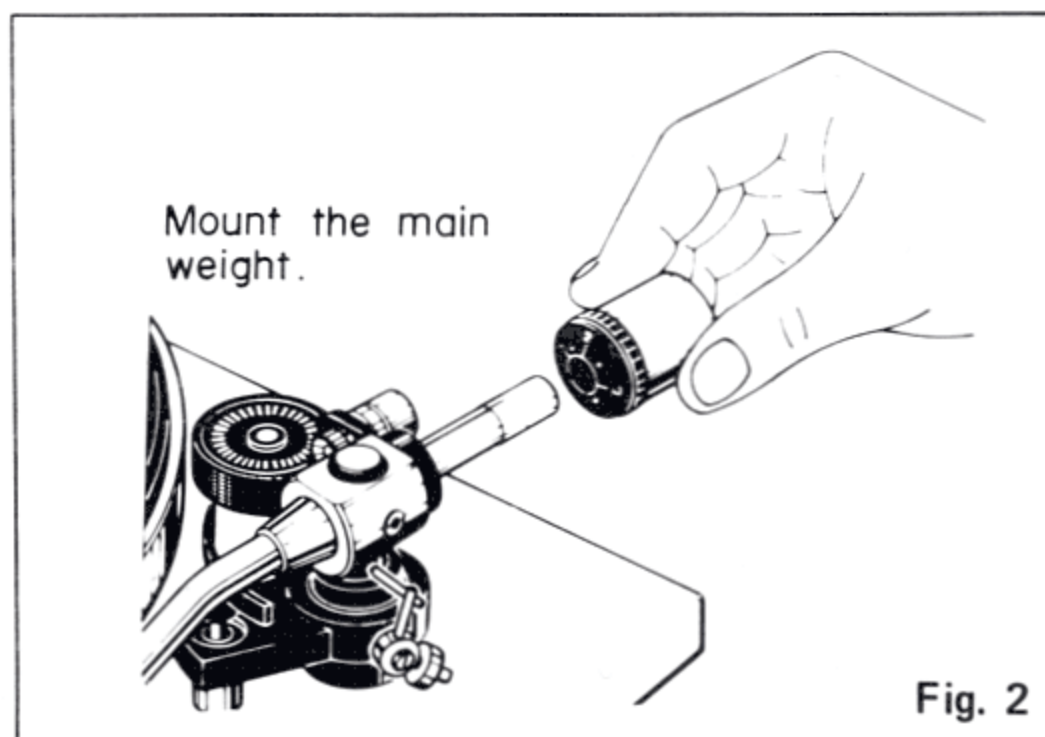
This high-performance auto-return stereo turntable was developed and engineered by Sanyo to be a source of entertainment and listening pleasure for many years to come. Before you install and start operating your unit, please read the instructions in this booklet carefully. This will prevent errors in operation and will assure maximum performance of your unit.

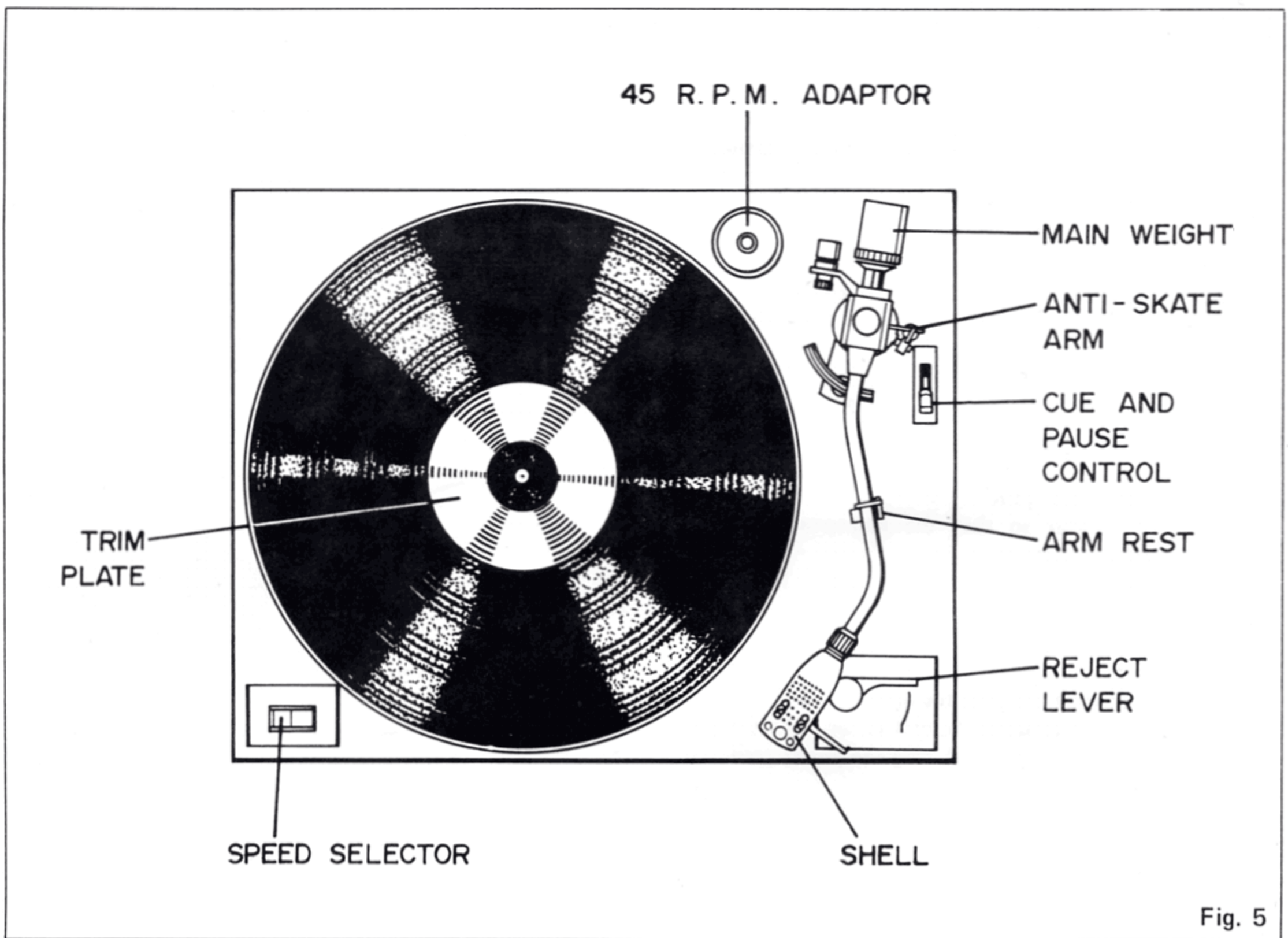
PREPARATIONS

1. Unpack the unit and remove the two screws which hold down the motor and the main weight during transportation. (Fig. 1)
2. Remove the fixing tape.
3. Mount the main weight as shown in Fig. 2.
4. Take the platter from the package and attach it to the unit.

ATTACHING THE PLATTER

- a. Turn the drive gear so that the non-serrated section faces the turntable shaft. (Fig. 3)
 - b. Attach the platter to the turntable shaft. Then hold the belt and put in on the motor pulley. Make sure not to twist the belt. (Fig. 4)
5. Unfasten the string that holds the tone arm.
 6. Remove the rubber band from the anti-skate arm.
 7. Connect the output cords of the unit to the PHONO input terminals of your amplifier and plug the power cord into an AC outlet.





TRACKING FORCE ADJUSTMENT

BALANCING THE TONE ARM (Fig. 6)

The tone arm must be balanced with the cartridge installed. It must be adjusted to be parallel to the turntable but not touching it (zero balance position).

- Free the tone arm from its rest position.
- Rotate the main weight toward the rear of the tone arm until the cartridge lifts clear of the turntable and the tone arm is horizontal and parallel to the turntable.
- While holding the main weight, set the tracking force indicator ring to the zero position. This is the zero balance position with the tone arm parallel to the turntable. Rotate the main weight and read the tracking force on the tracking force indicator ring. Set the tracking force in accordance with the cartridge specifications.
- Set the tracking force at 2.0 g when using the supplied cartridge.

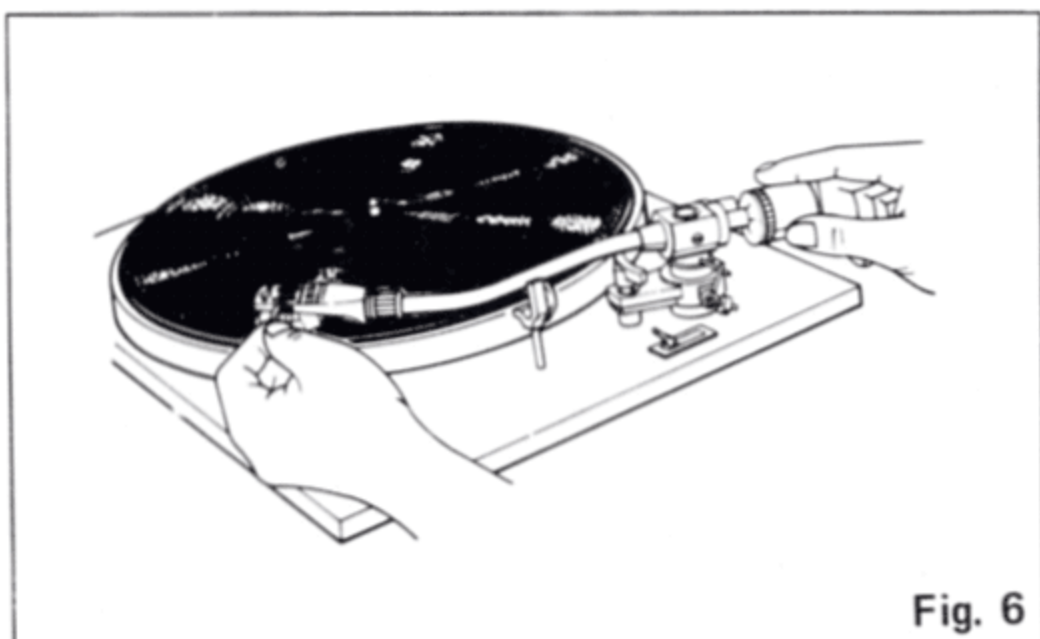
TO PLAY A RECORD

- Place the record on the turntable. (Use adaptor for 45 RPM records.)
- Set the speed selector switch according to the record speed: 33 or 45 RPM.
- Move the cue and pause control to the UP position.
- Move the tone arm to a position just above the desired starting point of the record. The turntable will begin turning.
- Move the cue and pause control to the DOWN position. The pickup will be lowered gently.
- End of the record.
At the end of the record the tone arm will lift and swing back to its rest, and the turntable will stop.
- To interrupt a record in the middle pull the REJECT lever toward you. (REJECT position)
The tone arm will lift and swing back to its rest, and the turntable will stop.

Cue and Pause. . . When playing a record, the cue and pause control may be used to raise or lower the pickup at any selected point, or to temporarily interrupt play. To raise the pickup, move the cue and pause control to the up position. To gently lower the pickup, move the control to the down position.

NOTE:

- Do not touch or hold the tone arm while it is in motion during automatic return.



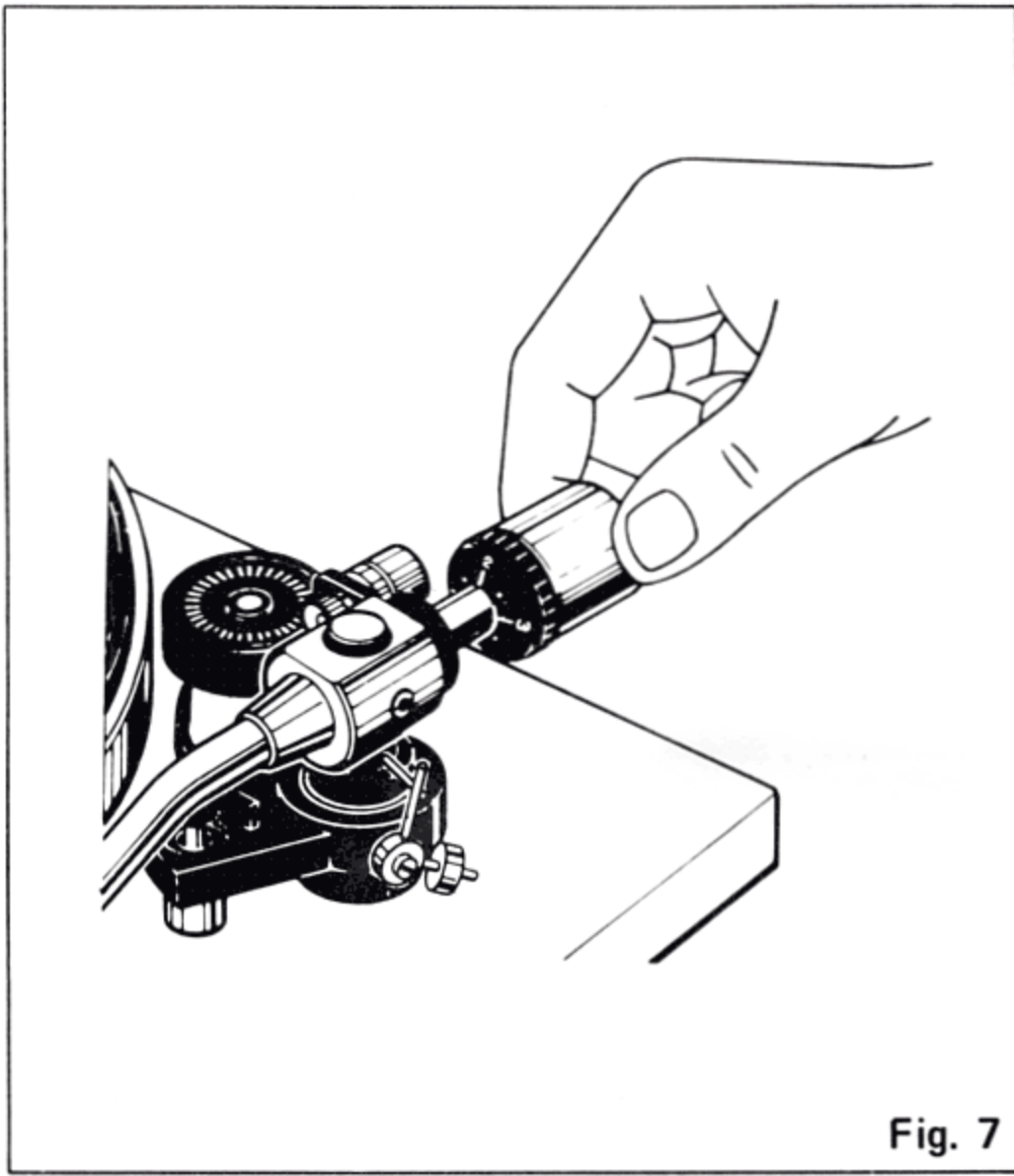


Fig. 7

THE PICKUP SYSTEM

1. A diamond stylus should be replaced after 500 to 1,000 hours of operation (1,000 to 2,000 LP sides), depending on the quality of the records.
2. To remove the old stylus, pull out the stylus assembly, holding the cartridge with your other hand. (Fig. 8)

NOTE:

The stylus should be kept clean of dust.

THE MOTOR

1. Revolving parts of the drive mechanism must be lubricated from time to time. Apply a little low-viscosity machine oil to all rotating parts.
2. Be careful not to get any grease or oil on the inside of the turntable, the rubber belt, or the motor pulley. If oil or grease should ever get on any of these parts, clean it off immediately with a cloth soaked in alcohol.

REMOVING THE PLATTER

1. Remove the rubber sheet and ring plate.
2. Pull the belt off the motor pulley.
3. Pull the platter straight up; it lifts off very easily.

CABINET CARE

For cleaning the wooden cabinet, use a soft dry cloth. Stains can be removed from the wooden cabinet with a lukewarm solution of a mild detergent or furniture polish. Never use benzol, benzine, acids, or chemical thinner to clean your unit. This will damage the finish.

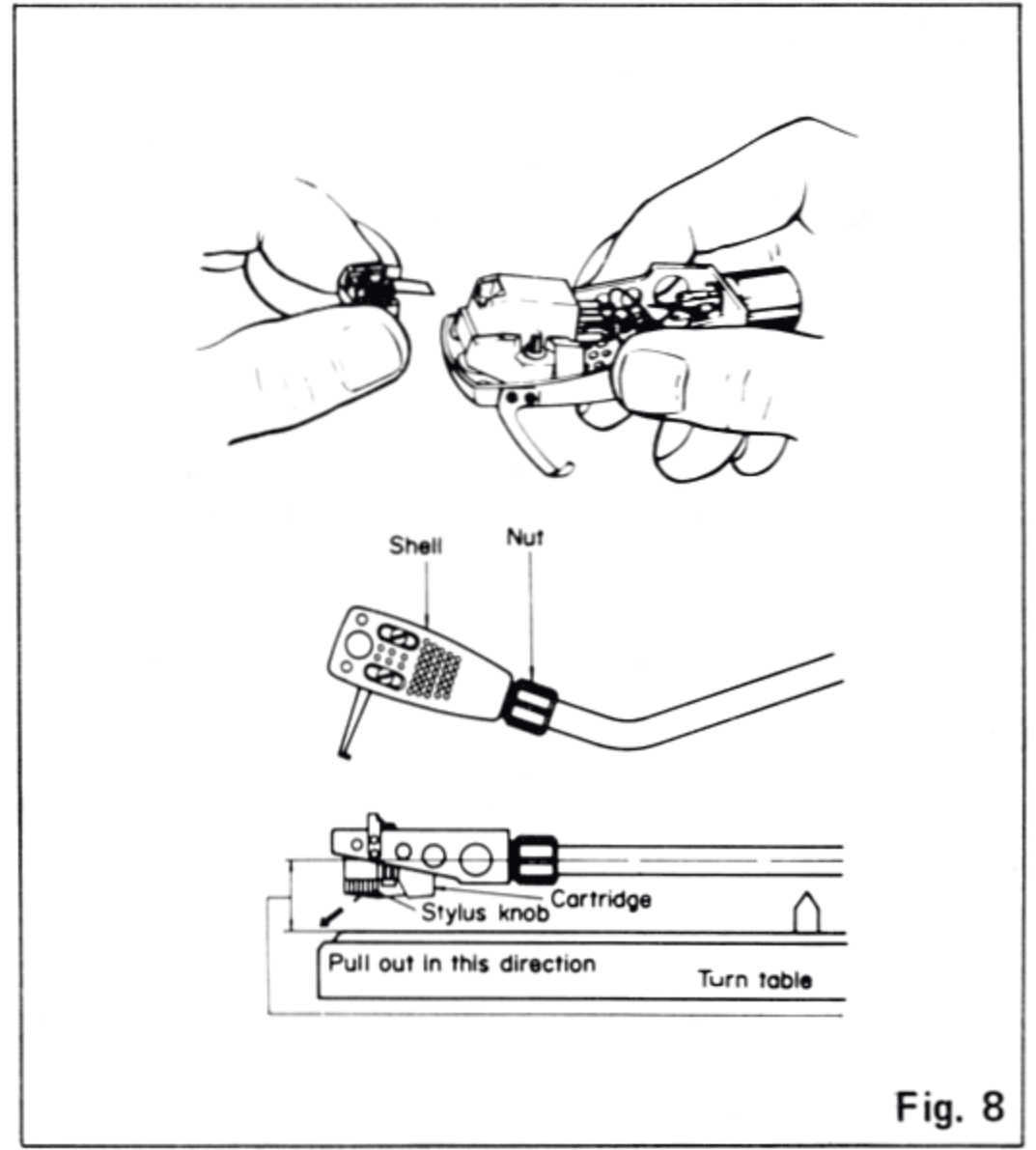


Fig. 8

ABOUT SANYO

Sanyo is one of the world's largest manufacturers of quality electronic equipment. Our products include television receivers, radios, high fidelity audio equipment, stereo equipment, automobile stereo equipment, and tape recorders.

